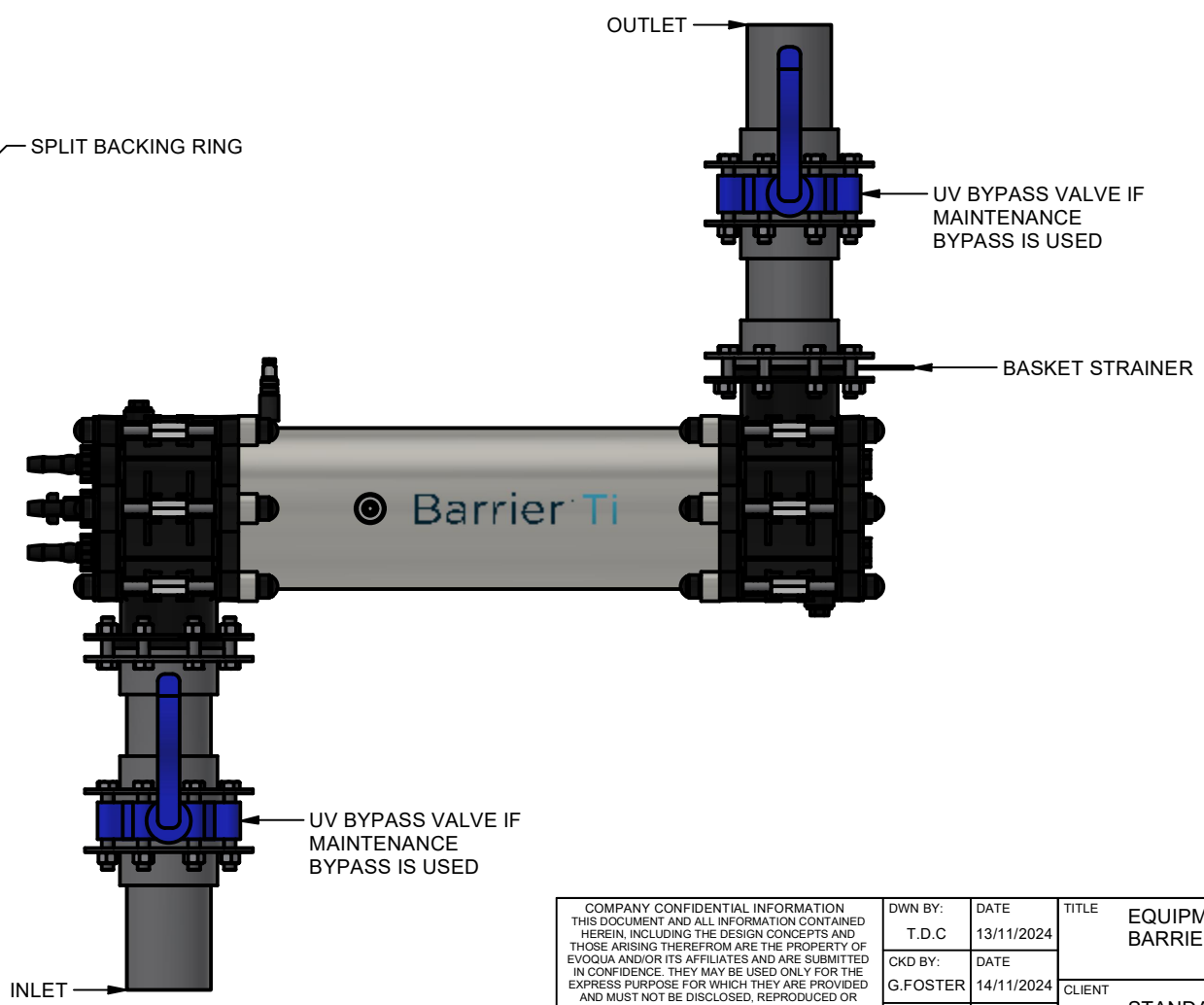
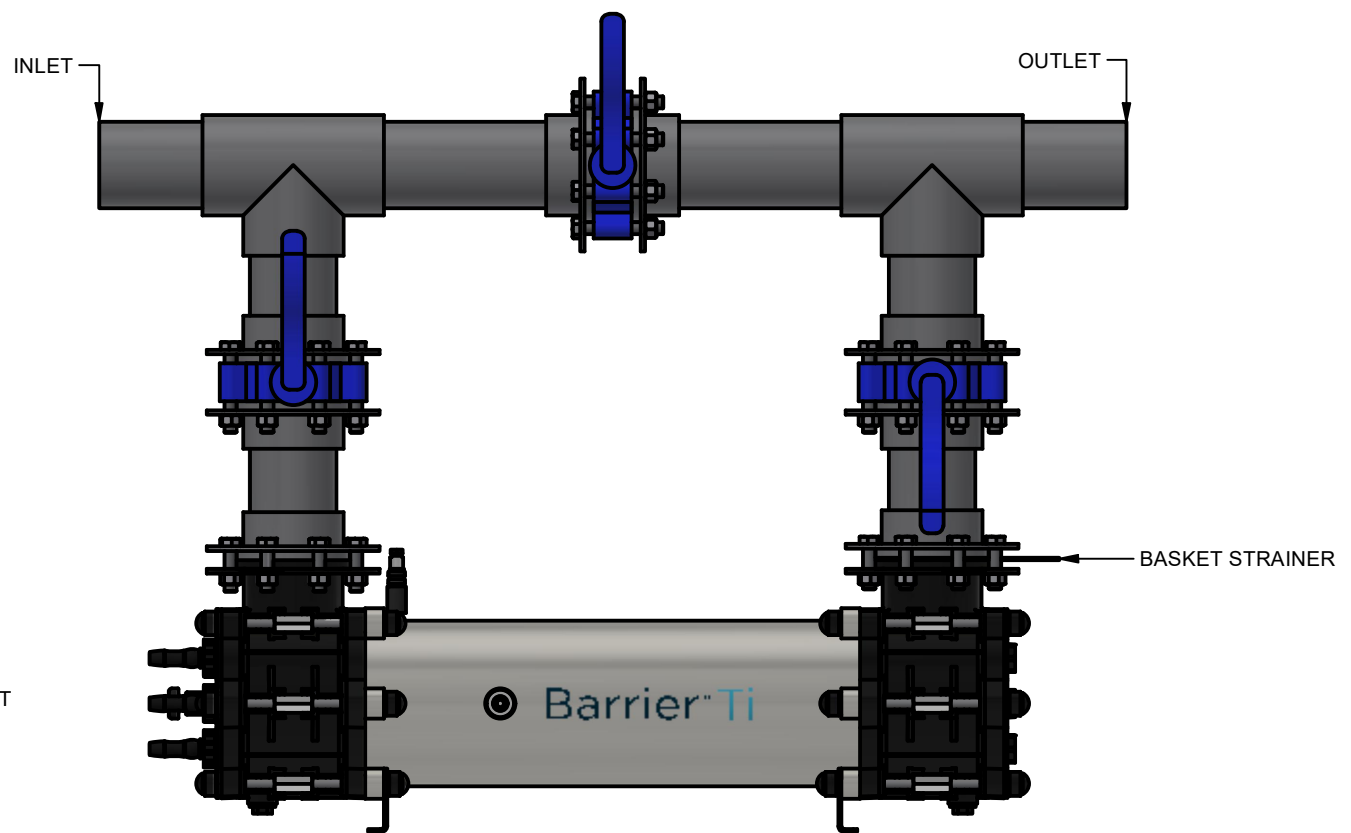
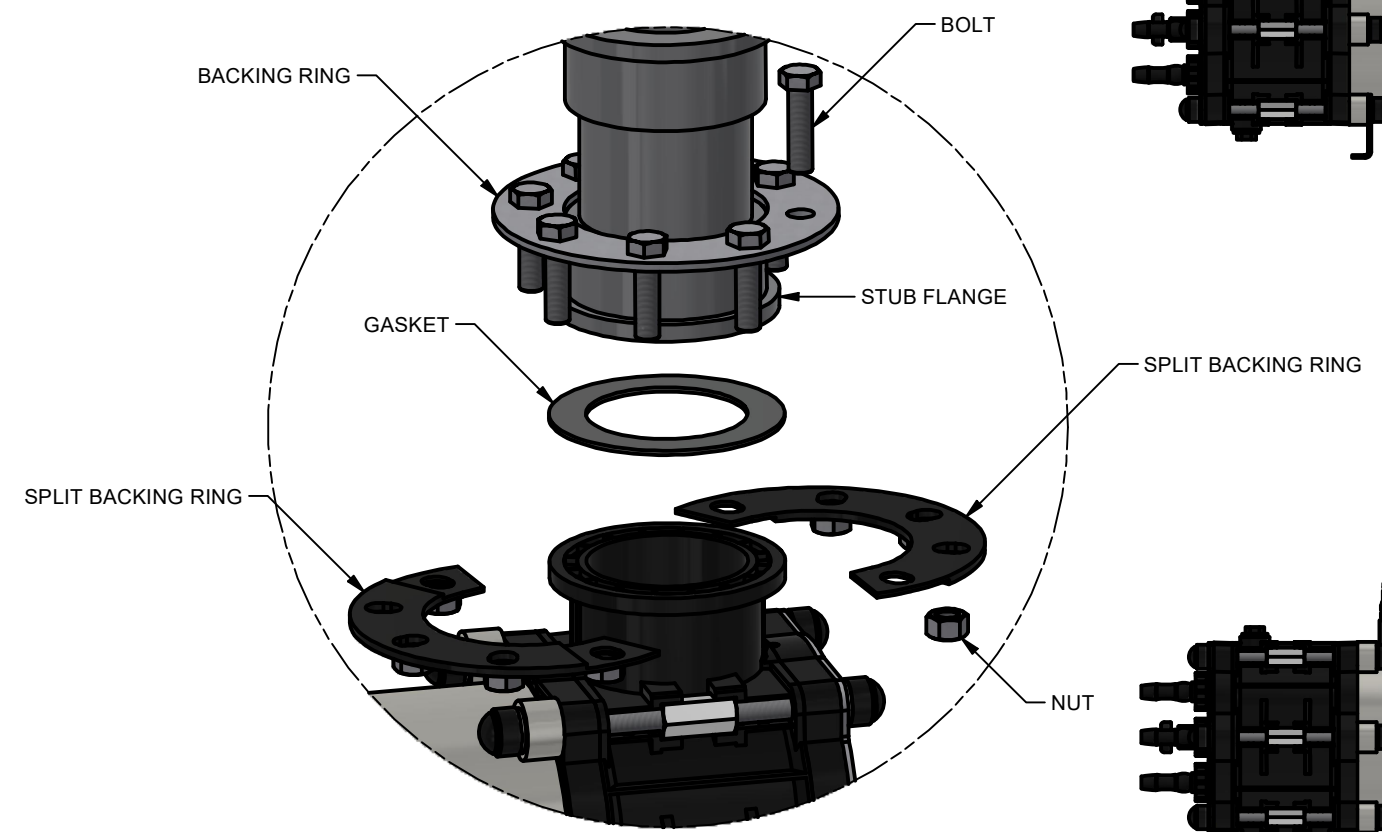


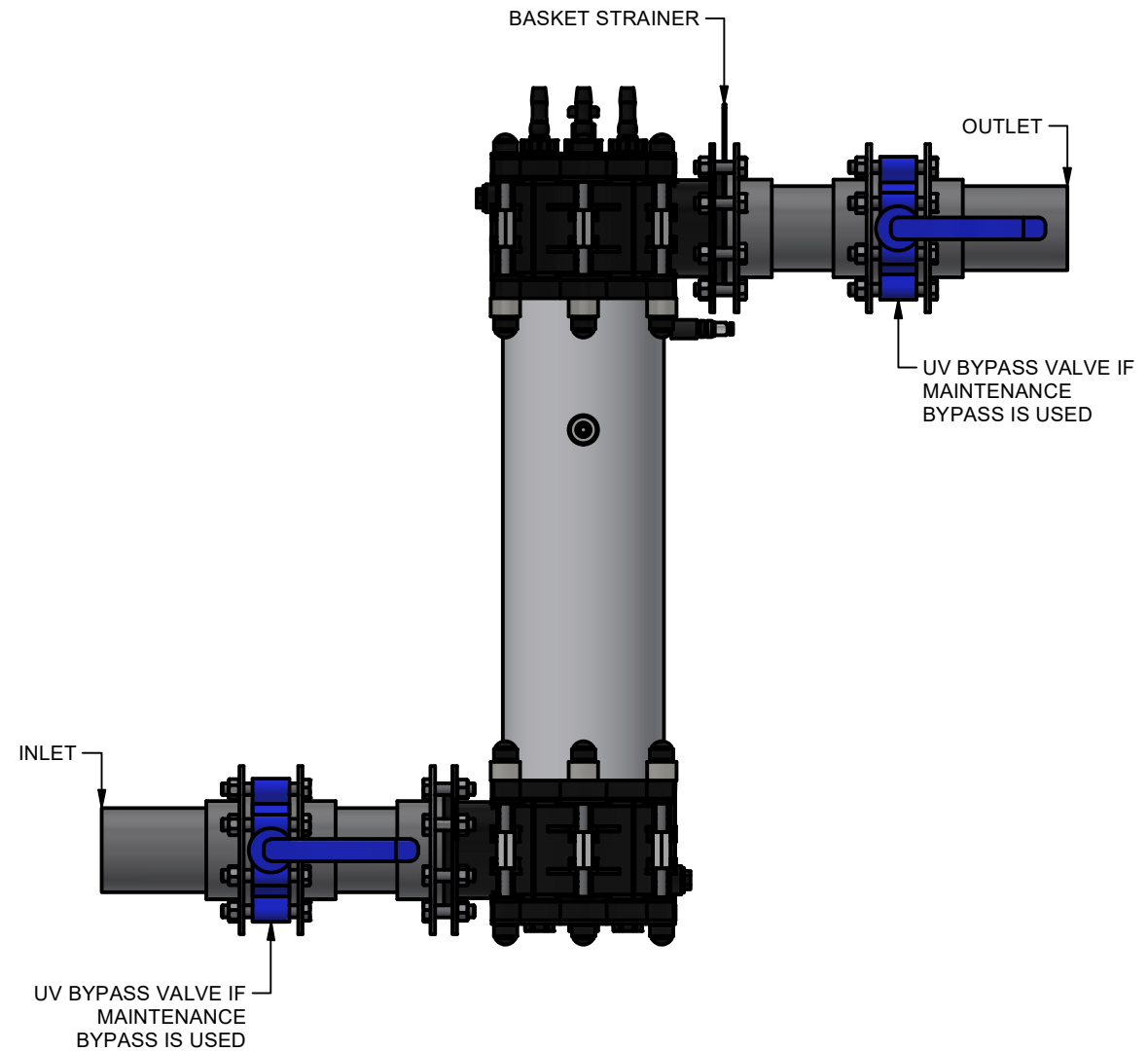
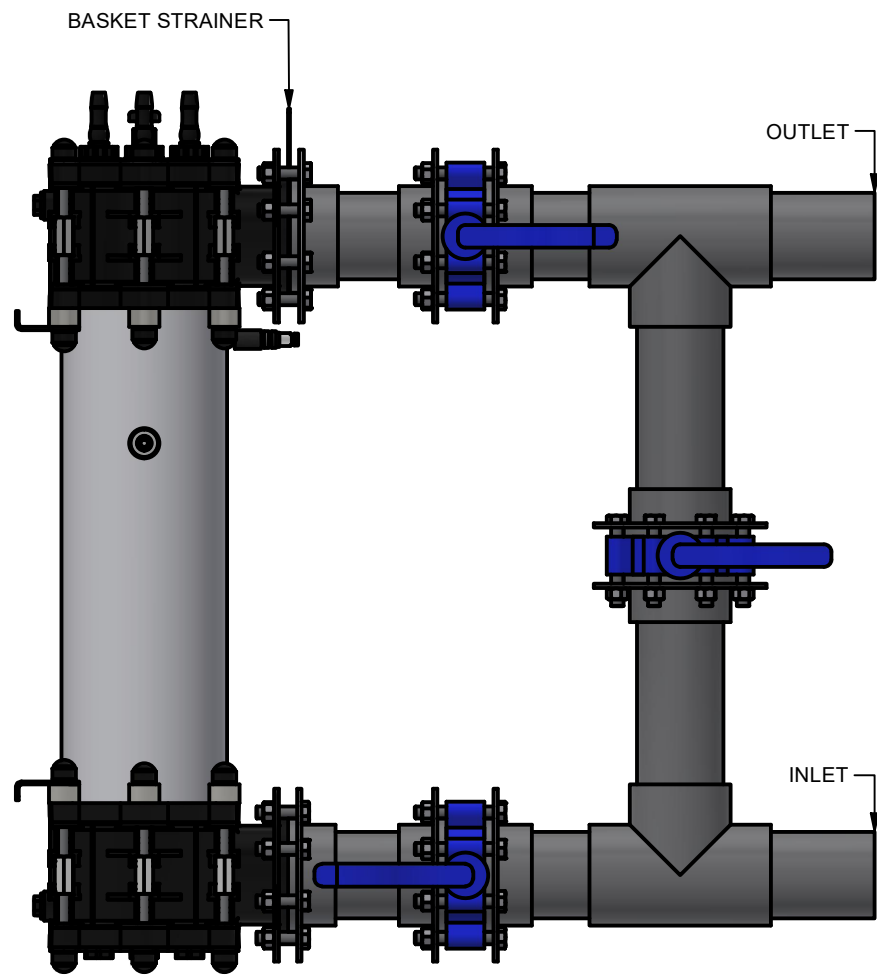
TYPICAL BRANCH CONNECTION ASSY



STD:297x420_A3_v4.42 BAR = 25mm AT PLOT SCALE

REV	DESCRIPTION	DATE	DWN	CKD	APPD	ECN
B	BRANCH CONNECTION ASSEMBLY ADDED	12/02/2025	T.D.C	G.FOSTER	G.MANIER	
A	FIRST ISSUE	13/11/2024	T.D.C	G.FOSTER	G.MANIER	

<small>COMPANY CONFIDENTIAL INFORMATION THIS DOCUMENT AND ALL INFORMATION CONTAINED HEREIN, INCLUDING THE DESIGN CONCEPTS AND THOSE ARISING THEREFROM ARE THE PROPERTY OF EVOQUA AND/OR ITS AFFILIATES AND ARE SUBMITTED IN CONFIDENCE. THEY MAY BE USED ONLY FOR THE EXPRESS PURPOSE FOR WHICH THEY ARE PROVIDED AND MUST NOT BE DISCLOSED, REPRODUCED OR COPIED IN ANY FORM, INCLUDING IN ELECTRONIC FORMAT, LOANED OR USED IN ANY OTHER MANNER WITHOUT THE EXPRESS WRITTEN CONSENT OF EVOQUA. ALL PATENT RIGHTS ARE RESERVED. THIS DOCUMENT AND DERIVATIVE WORKS THEREOF ARE PROTECTED UNDER APPLICABLE COPYRIGHT LAWS. UPON DEMAND OF EVOQUA, THIS DOCUMENT, ALONG WITH ALL COPIES AND EXTRACTS, AND ALL RELATED NOTES AND ANALYSES MUST BE RETURNED TO EVOQUA OR DESTROYED, AS INSTRUCTED BY EVOQUA. ACCEPTANCE OF THE DELIVERY OF THIS DOCUMENT CONSTITUTES AGREEMENT TO THESE TERMS.</small>		DWN BY: T.D.C CKD BY: G.FOSTER APPD BY: G.MANIER MGD BY: G.MANIER	DATE: 13/11/2024 DATE: 14/11/2024 DATE: 14/11/2024 SCALE: NTS	TITLE: EQUIPMENT GENERAL ARRANGEMENT BARRIER TI PIPEWORK ORIENTATION DRAWING (8") CLIENT: STANDARD PRODUCTS	EVOQUA WATER TECHNOLOGIES WARRINGTON CHESHIRE GBR +44 (0)3001240500
PART NUMBER	PROJ/PROD NUMBER	CODE	FILE/DRAWING NUMBER	SHEET	REV
		M-GA01	V112069120	1 OF 2	B



STD:297x420_A3_v4.42 BAR = 25mm AT PLOT SCALE

COMPANY CONFIDENTIAL INFORMATION THIS DOCUMENT AND ALL INFORMATION CONTAINED HEREIN, INCLUDING THE DESIGN CONCEPTS AND THOSE ARISING THEREFROM ARE THE PROPERTY OF EVOQUA AND/OR ITS AFFILIATES AND ARE SUBMITTED IN CONFIDENCE. THEY MAY BE USED ONLY FOR THE EXPRESS PURPOSE FOR WHICH THEY ARE PROVIDED AND MUST NOT BE DISCLOSED, REPRODUCED OR COPIED IN ANY FORM, INCLUDING IN ELECTRONIC FORMAT, LOANED OR USED IN ANY OTHER MANNER WITHOUT THE EXPRESS WRITTEN CONSENT OF EVOQUA. ALL PATENT RIGHTS ARE RESERVED. THIS DOCUMENT AND DERIVATIVE WORKS THEREOF ARE PROTECTED UNDER APPLICABLE COPYRIGHT LAWS. UPON DEMAND OF EVOQUA, THIS DOCUMENT, ALONG WITH ALL COPIES AND EXTRACTS, AND ALL RELATED NOTES AND ANALYSES MUST BE RETURNED TO EVOQUA OR DESTROYED, AS INSTRUCTED BY EVOQUA. ACCEPTANCE OF THE DELIVERY OF THIS DOCUMENT CONSTITUTES AGREEMENT TO THESE TERMS.		DWN BY: T.D.C. DATE: 13/11/2024	TITLE: EQUIPMENT GENERAL ARRANGEMENT BARRIER TI PIPEWORK ORIENTATION DRAWING (8")
CKD BY: G.FOSTER DATE: 14/11/2024	APPD BY: G.MANIER DATE: 14/11/2024	CLIENT: STANDARD PRODUCTS	EVOQUA WATER TECHNOLOGIES WARRINGTON CHESHIRE GBR +44 (0)3001240500
MGD BY: NTS	SCALE: NTS	PART NUMBER:	PROJ/PROD NUMBER: M-GA01 CODE: V112069120 FILE/DRAWING NUMBER: 2 OF 2 SHEET: B